



## Panama Chocks

 **ZHIYOU MARINE**  
Marine & Offshore Equipment Supplier

Shanghai Zhiyou Marine & Offshore Equipment Co., Ltd

Web: [www.marineoutfittings.com](http://www.marineoutfittings.com)

Email: [info@marineoutfittings.com](mailto:info@marineoutfittings.com)

Tel: +86 21 5645 2367

## Brief

The periphery of the panama chocks are made into lip shape to protect mooring ropes from being cut by bulwark and also for bulwark not being worn by the mooring ropes. Installation in the middle of ships is AC type Panama chocks, and at the bow is BC type (see drawings as below).

## Specification

Material is cast steel.

Ready for welding directly to bulkhead.

Sizes are standardization, and ready to fit.

Classification society approval (BV/CCS etc).

Available in natural finish, primed or coated in accordance with specific requirements.

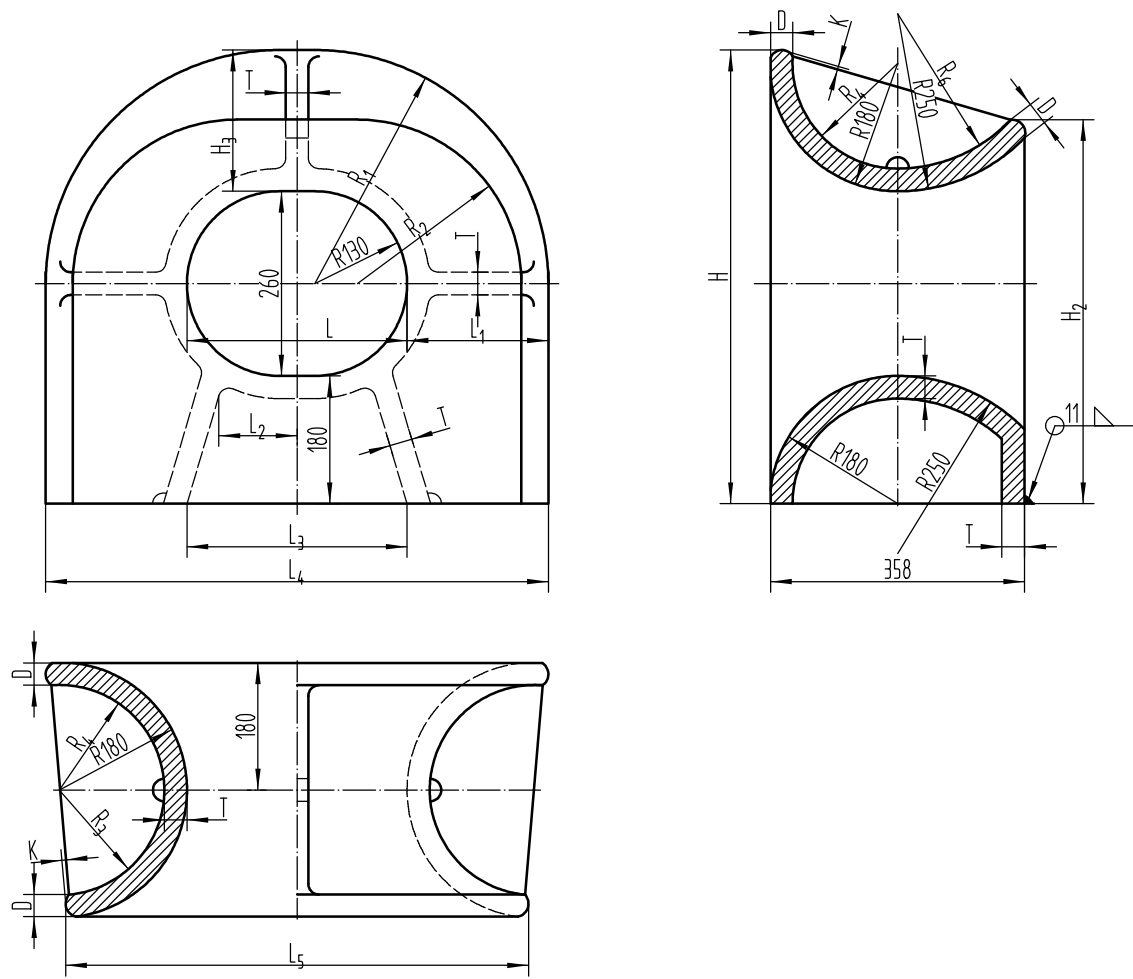
Other requirements.

## Dimensions

Panama Chocks AC Type	Nominal Size	L	H	H <sub>2</sub>	L <sub>4</sub>	L <sub>5</sub>
	310	310	639	541	708	652
	360	360	640	542	760	704
	400	400	642	545	804	750
	450	450	643	547	856	802
	500	500	644	549	908	854

Panama Chocks BC Type	Nominal Size	L	L <sub>2</sub>	L <sub>3</sub>	H <sub>2</sub>	H <sub>3</sub>
	310	310	734	652	684	462
	360	360	788	704	688	464
	400	400	832	750	692	470
	450	450	886	802	696	474
	500	500	940	854	700	478

\*Note: Contained within the sheet above are dimensions for reference only, customized solution or any other requirements please [contact us](#).

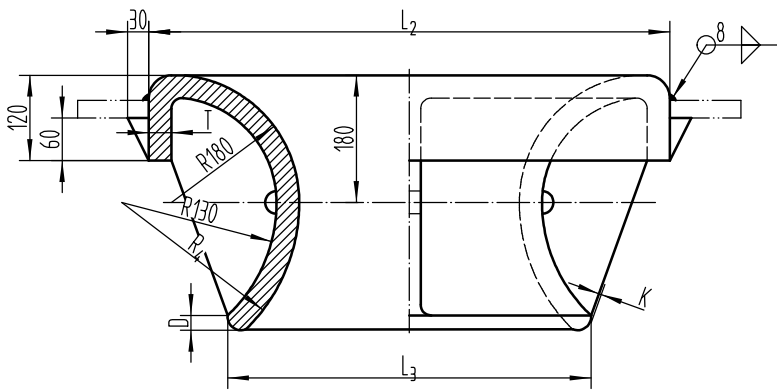
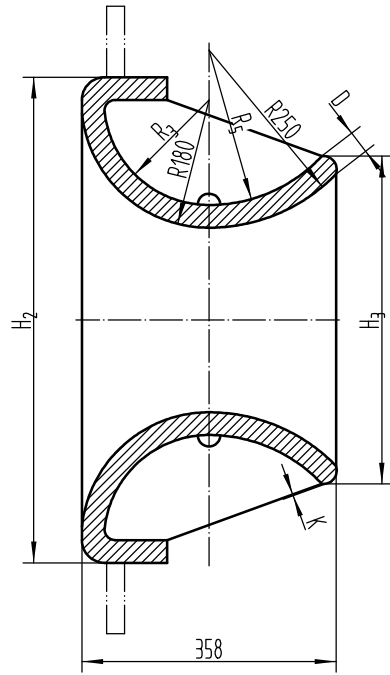
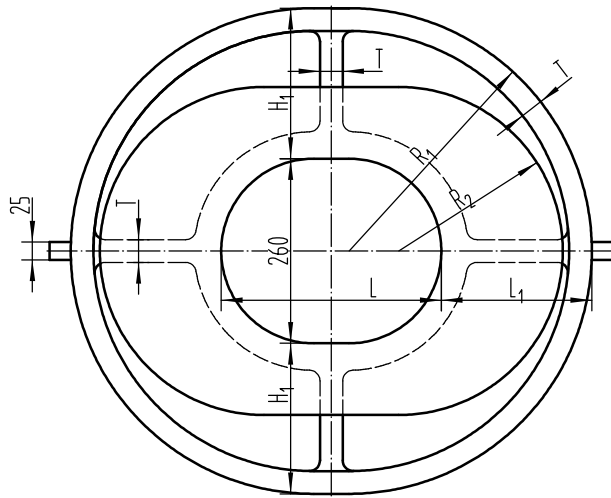


Nominal Size L	L <sub>1</sub>	L <sub>2</sub>	L <sub>3</sub>	L <sub>4</sub>	L <sub>5</sub>	D	H <sub>1</sub>	H <sub>2</sub>	H <sub>3</sub>	R <sub>1</sub>	R <sub>2</sub>	R <sub>3</sub>	R <sub>4</sub>	R <sub>5</sub>	K	T	Weight Kg
310	199	105	310	708	652	38	639	541	199	329	231	140	142	195	15	32	253
360	200	130	360	760	704	40	640	542	200	330	232	138	140	192		34	289
400	202	150	400	804	750	44	642	545	202	332	235	134	136	185	20	36	323
450	203	175	450	856	802	46	643	547	203	333	237	132	134	182		38	351
500	204	200	500	908	854	48	644	549	204	334	239	130	132	180		40	395



Shanghai Zhiyou Marine & Offshore Equipment Co., Ltd  
 Room 405, Fudan Software Park, 188 Changyi Road, Shanghai China.  
 Tel: +86-21-5645-2367  
 Email: sales@zhiyoumarine.com info@marineoutfittings.com  
 Web: www.zhiyoumarine.com www.marineoutfittings.com

1			Dwg Name	Panama Chocks (AC Type)			
Rev	Description	Date		Scale	1:7.5 @A3	Dwg No.	ZY-180129-Pc
Note	All dimensions are in millimeters unless otherwise specified.			Sheet	1/2	GB 11586-1989	



Nominal Size L	L <sub>1</sub>	L <sub>2</sub>	L <sub>3</sub>	D	H <sub>1</sub>	H <sub>2</sub>	H <sub>3</sub>	R <sub>1</sub>	R <sub>2</sub>	R <sub>3</sub>	R <sub>4</sub>	R <sub>5</sub>	K	T	Weight Kg
310	212	734	652	38	212	684	462	342	231	148	140	195	15	32	276
360	214	788	704	40	214	688	464	344	232	146	138	192		34	305
400	216	832	750	44	216	692	470	346	235	144	134	185	20	36	344
450	218	886	802	46	218	696	474	348	237	142	132	182		38	385
500	220	940	854	48	220	700	478	350	239	140	130	180		40	422



Shanghai Zhiyou Marine & Offshore Equipment Co., Ltd  
 Room 405, Fudan Software Park, 188 Changyi Road, Shanghai China.  
 Tel: +86-21-5645-2367  
 Email: sales@zhiyoumarine.com info@marineoutfittings.com  
 Web: www.zhiyoumarine.com www.marineoutfittings.com

1			Dwg Name	Panama Chocks (BC Type)			
Rev	Description	Date		Scale	1:7.5 @A3	Dwg No.	ZY-180129-Pc
Note	All dimensions are in millimeters unless otherwise specified.			Sheet	2/2	GB 11586-1989	